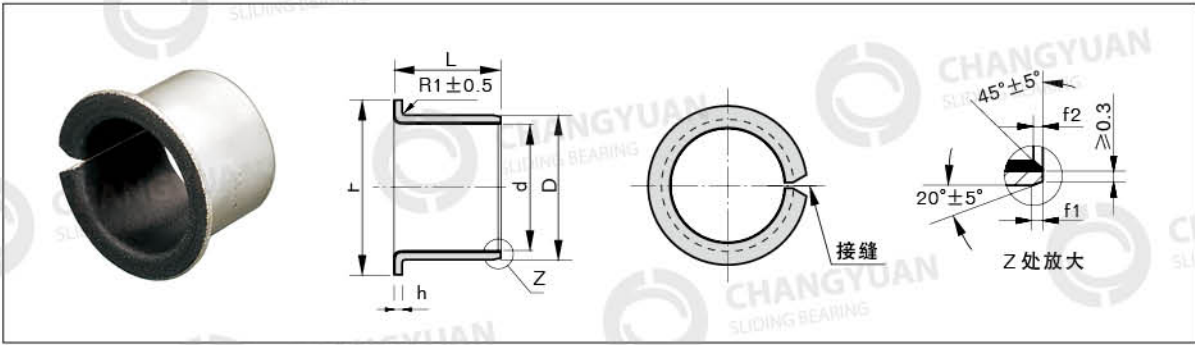


# SF-1 无油润滑翻边轴套

## SF-1 Oilless Flange Bushing

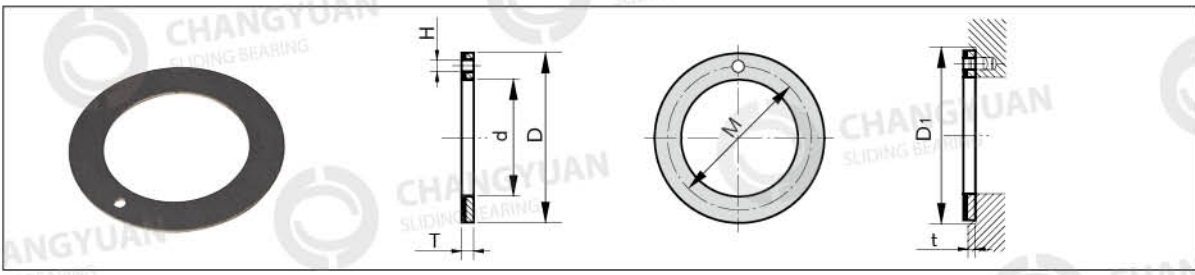


单位unit:mm

压入座孔后的内径 I.D.after fixed	D	轴径 Shaft Dia.	座孔 Bore H7 Housing	F ± 0.5	壁厚 Wall Thickness	f1	f2	L ± 0.025															
								4	5.5	7	7.5	8	9	10	12	15	16	17	22	26			
5.990 6.055	8	+0.055 +0.025	6	-0.013 -0.028	8	+0.015	12																
7.990 8.055	10	+0.055 +0.025	8	-0.016 -0.034	10	+0.015	15																
9.990 10.058	12	+0.065 +0.030	10	-0.020 -0.041	12	+0.018	18																
11.990 12.058	14	+0.065 +0.030	12	-0.020 -0.041	14	+0.018	20																
13.990 14.058	16	+0.065 +0.030	14	-0.020 -0.041	16	+0.018	22																
14.990 15.058	17	+0.065 +0.030	15	-0.020 -0.041	17	+0.018	23																
15.990 16.058	18	+0.065 +0.030	16	-0.020 -0.041	18	+0.018	24																
17.990 18.061	20	+0.075 +0.035	18	-0.025 -0.050	20	+0.021	26																
19.990 20.071	23	+0.075 +0.035	20	-0.025 -0.050	23	+0.021	30																
21.990 22.071	25	+0.075 +0.035	22	-0.025 -0.050	25	+0.021	32																
24.990 25.071	28	+0.075 +0.035	25	-0.013 -0.028	28	+0.021	35																
29.990 30.085	34	+0.085 +0.045	30	-0.016 -0.034	34	+0.025	45																
34.990 35.085	39	+0.085 +0.045	35	-0.016 -0.034	39	+0.025	47																

# SF-1WC 标准公制垫片

## SF-1WC Standard Metric Washer



单位unit:mm

规格型号 Type	轴径 Shaft Dia.	垫片尺寸 Washer dimension				安装尺寸 Installation			
		d <sup>+0.25</sup>	D <sub>-0.25</sub>	T <sub>-0.05</sub>	M <sup>+0.12 -0.12</sup>	H	t	D <sub>i</sub>	
WC 10	8	10	20	1.5	15	1.5	1	20	
WC 12	10	12	24	1.5	18	1.5	1	24	
WC 14	12	14	26	1.5	20	2	1	26	
WC 16	14	16	30	1.5	23	2	1	30	
WC 18	16	18	32	1.5	25	2	1	32	
WC 20	18	20	36	1.5	28	3	1	36	
WC 22	20	22	38	1.5	30	3	1	38	
WC 24	22	24	42	1.5	33	3	1	42	
WC 26	24	26	44	1.5	35	3	1	44	
WC 28	25	28	48	1.5	38	4	1	48	
WC 32	30	32	54	1.5	43	4	1	54	
WC 38	35	38	62	1.5	50	4	1	62	
WC 42	40	42	66	1.5	54	4	1	66	
WC 48	45	48	74	2	61	4	1.5	74	