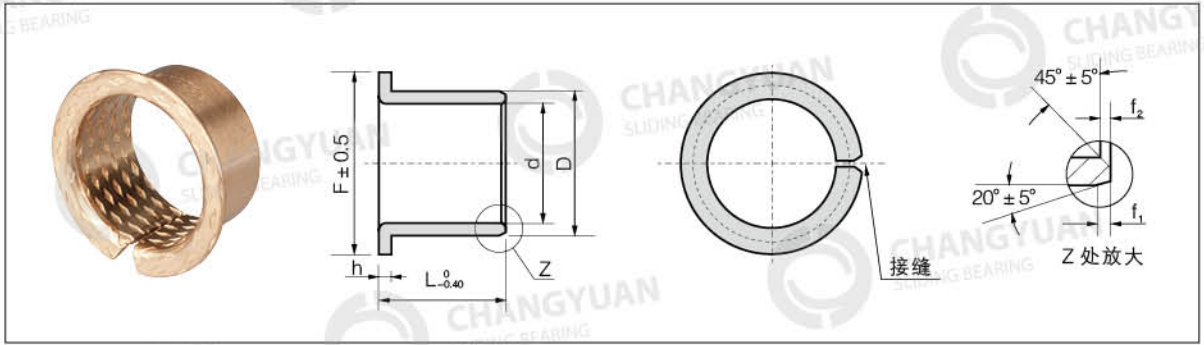


FB 青铜卷制翻边轴套 FB Bronze Wrapped Flange Bushing



单位Unit: mm

压入座孔后的 内径 I.D. after fixed		外径 O.D.		F	f1	f2	L ₋₀₄₀ ⁰																						
							15	20	25	30	35	40	50	60	70	80	90												
25	+0.052 0	28	+0.075 +0.035	35	0.8	0.4	●	●	●																				
30		34		45	1.0	0.6		●	●	●																			
35	+0.052 0	39	+0.085 +0.045	50	1.0	0.6		●	●	●	●																		
40		44		55	1.0	0.6			●	●	●	●																	
45		50		60	1.2	0.8				●	●	●	●																
50	+0.074 0	55	+0.100 +0.055	65	1.2	0.8			●	●	●	●																	
55		60		70	1.2	0.8				●	●	●	●																
60		65		75	1.2	0.8				●	●	●	●	●															
65		70		80	1.2	0.8				●	●	●	●	●	●														
70	+0.087 0	75	+0.120 +0.070	85	1.2	0.8				●	●	●	●	●															
75		80		90	1.2	0.8					●	●	●	●	●														
80		85		100	1.4	0.8						●	●	●	●	●													
90		95		110	1.4	0.8								●	●	●	●	●											
100		105		120	1.4	0.8									●	●	●	●	●	●									
110	+0.100 0	115	+0.170 +0.100	130	1.4	0.8								●	●	●	●	●	●										
120		125		140	1.4	0.8									●	●	●	●	●	●									
130		135		155	1.4	0.8										●	●	●	●	●	●								
140		145		165	1.4	0.8											●	●	●	●	●	●							
150		155		180	1.4	0.8												●	●	●	●	●	●						
160		165		190	1.4	0.8													●	●	●	●	●	●					
170	+0.115 0	175	0.210 0.130	200	1.4	0.8											●	●	●	●	●	●							
180		185		215	1.4	0.8													●	●	●	●	●	●					
190		195		225	1.4	0.8														●	●	●	●	●	●				
200		205		235	1.4	0.8															●	●	●	●	●	●			
225		230		260	1.4	0.8																●	●	●	●	●	●		
250		255		290	1.4	0.8																	●	●	●	●	●	●	
265		270		305	1.4	0.8																		●	●	●	●	●	●
285	+0.130 0	290	+0.260 +0.170	325	1.4	0.8																●	●	●	●	●	●		
300		305		340	1.4	0.8																		●	●	●	●	●	●