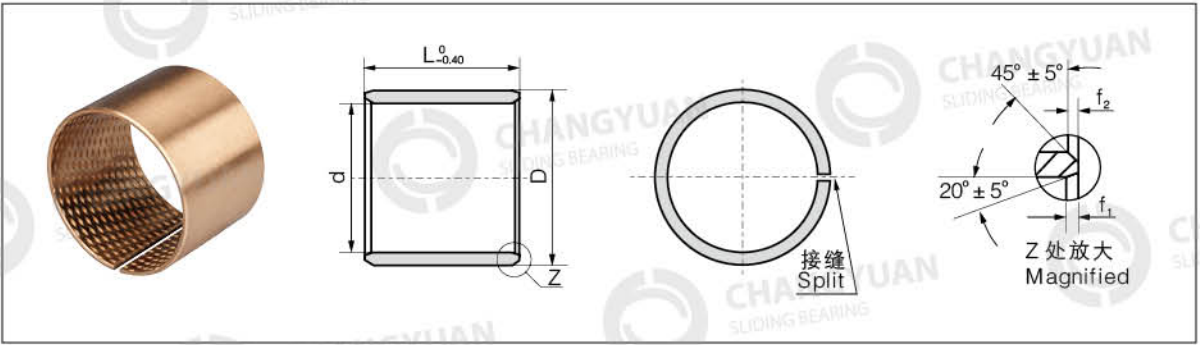


FB 青铜卷制轴套 FB Bronze Wrapped Bushing



单位Unit: mm

压入座孔后的内径 I.D. after fixed	外径 O.D.	f1	f2	L																
				10	15	20	25	30	35	40	50	60	70	80	90	100				
10		12		0.5	0.3	●	●	●												
12		14		0.5	0.3	●	●	●												
14	+0.043 0	16	+0.065 +0.030	0.5	0.3	●	●	●	●											
15		17		0.5	0.3	●	●	●	●											
16		18		0.5	0.3	●	●	●	●											
18		20		0.5	0.3	●	●	●	●											
20		23		0.8	0.4	●	●	●	●											
22		25		0.8	0.4	●	●	●	●											
24	+0.052 0	27	+0.075 +0.035	0.8	0.4	●	●	●	●	●										
25		28		0.8	0.4	●	●	●	●	●										
28		32		0.8	0.4	●	●	●	●											
30		34		1.0	0.6	●	●	●	●	●	●									
32		36		1.0	0.6	●	●	●	●	●	●									
35	+0.062 0	39	+0.085 +0.045	1.0	0.6	●	●	●	●	●	●									
40		44		1.0	0.6	●	●	●	●	●	●	●								
45		50		1.2	0.8	●	●	●	●	●	●	●								
50		55		1.2	0.8	●	●	●	●	●	●	●	●							
55		60		1.2	0.8	●	●	●	●	●	●	●	●	●						
60	+0.074 0	65	+0.100 +0.055	1.2	0.8	●	●	●	●	●	●	●	●	●	●					
65		70		1.2	0.8	●	●	●	●	●	●	●	●	●	●	●	●			
70		75		1.2	0.8	●	●	●	●	●	●	●	●	●	●	●				
75		80		1.2	0.8	●	●	●	●	●	●	●	●	●	●	●	●			
80		85		1.4	0.8	●	●	●	●	●	●	●	●	●	●	●	●			
85		90		1.4	0.8	●	●	●	●	●	●	●	●	●	●	●	●	●		
90		95		1.4	0.8	●	●	●	●	●	●	●	●	●	●	●	●	●	●	
95		100		1.4	0.8	●	●	●	●	●	●	●	●	●	●	●	●	●	●	●
100	+0.087 0	105	+0.120 +0.070	1.4	0.8	●	●	●	●	●	●	●	●	●	●	●	●	●	●	●
105		110		1.4	0.8	●	●	●	●	●	●	●	●	●	●	●	●	●	●	●
110		115		1.4	0.8	●	●	●	●	●	●	●	●	●	●	●	●	●	●	●
115		120		1.4	0.8	●	●	●	●	●	●	●	●	●	●	●	●	●	●	●
120		125		1.4	0.8	●	●	●	●	●	●	●	●	●	●	●	●	●	●	●
125		130		1.4	0.8	●	●	●	●	●	●	●	●	●	●	●	●	●	●	●
130		135		1.4	0.8	●	●	●	●	●	●	●	●	●	●	●	●	●	●	●
135		140		1.4	0.8	●	●	●	●	●	●	●	●	●	●	●	●	●	●	●
140	+0.100 0	145	+0.170 +0.100	1.4	0.8	●	●	●	●	●	●	●	●	●	●	●	●	●	●	●
145		150		1.4	0.8	●	●	●	●	●	●	●	●	●	●	●	●	●	●	●
150		155		1.4	0.8	●	●	●	●	●	●	●	●	●	●	●	●	●	●	●
155		160		1.4	0.8	●	●	●	●	●	●	●	●	●	●	●	●	●	●	●
160		165		1.4	0.8	●	●	●	●	●	●	●	●	●	●	●	●	●	●	●